

"BHS" Stainless Steel Wall Shelves

w/ 1 1/2 Turned up Backsplash



TYPE 300 STAINLESS STEEL WALL SHELF			
12" WIDE	Qty	16" WIDE	Qty
BHS1236		BHS1636	
BHS1248		BHS1648	
BHS1260		BHS1660	
BHS1272		BHS1672	
*BHS1284		*BHS1684	
*BHS1296		*BHS1696	

FEATURES:

- * Stainless Steel Shelf
Type 300 stainless steel with # 3 polish, satin finish
- * Finished with a **Safety** Stallion Front Edge
- * 1 1/2" Turned up Backsplash
- * 12" or 16" depth
- * Shipped knocked-down, easy - to - assemble **Most Ship UPS**
- * Optional stainless steel **Pot Rack Bar**,
with stainless steel hooks available under shelf
- * All models are approved by the National Sanitation Foundation

* (ASTERISK) denotes 3 support brackets

CONSTRUCTION:

- * Stainless Steel Shelves are TIG welded
Exposed welds are polished to match adjacent surface

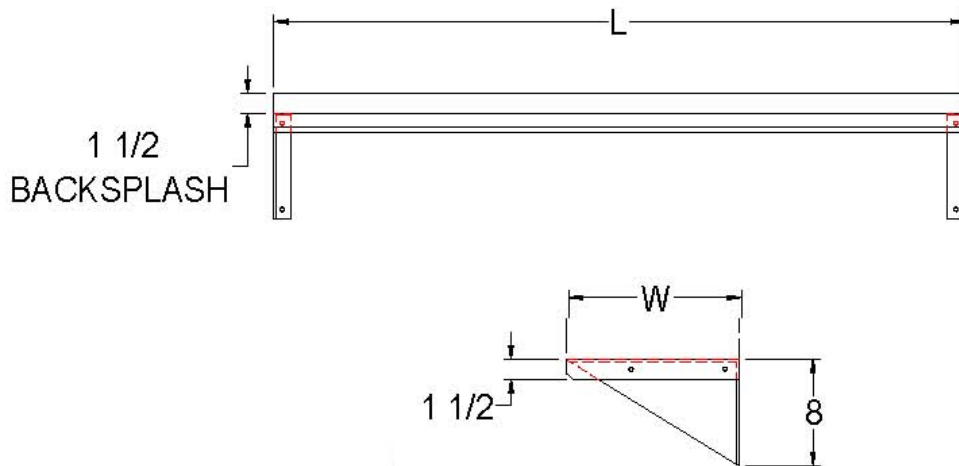
MATERIAL:

- Shelf: 18 gauge type 300 stainless steel, # 3 polish, satin finish.
Brackets: 18 gauge type 300 stainless steel, # 3 polish, satin finish.

John Boos & Co

Effingham, IL 62401

DETAILED SPECIFICATIONS



All units ship unassembled for reduced shipping cost.
 Units 7 ft. and larger are furnished with 3 support brackets.
 All dimensions are typical.
 Tolerance +/- .500".

STAINLESS STEEL WALL SHELVES

L	12" WIDE	WT.	16" WIDE	WT.
36	BHS1236	12	BHS1636	14
48	BHS1248	16	BHS1648	18
60	BHS1260	21	BHS1660	24
72	BHS1272	25	BHS1672	30
84	*BHS1284	29	*BHS1684	34
96	*BHS1296	33	*BHS1696	38

John Boos & Co
 Effingham, IL 62401

